

SHOP SUPPLIES

ADHESIVES

KEY	PART NO.	DESCRIPTION
1	SS-8031	PLIOBOND, ADHESIVE 3 OUNCE BOTTLE WITH APPLICATOR
2	SS-8030	PLIOBOND, ADHESIVE 8 OUNCE CAN WITH APPLICATOR
	SS-8035	PVC CEMENT, 8 OUNCE CAN WITH APPLICATOR

ARBOR PRESS

3	SS-6200	ARBOR PRESS, FITS UP TO 1 3/8" OD BEARINGS PORTABLE
---	---------	---

BIN BOXES

4	SS-8050	2" WIDE 4" WALL 12" LENGTH
5	SS-8051	4" WIDE 4" WALL 12" LENGTH
6	SS-8052	6" WIDE 4" WALL 12" LENGTH
7	SS-8053	8" WIDE 4" WALL 12" LENGTH
8	SS-8054	10" WIDE 4" WALL 12" LENGTH
9	SS-8055	12" WIDE 4" WALL 12" LENGTH

BULBS

10	FA-3500	BULB, 25 WATT DOUBLE POLE MOST VACS
10	FA-3515	BULB, 15 WATT DOUBLE POLE MOST VACS
11	HR-3500	BULB, HOOVER CONCEPT, KIRBY GEN 3, SINGER HB & SE
12	KR-3500	BULB, SINGLE POLE HEADLIGHT KIRBY 1CB- LEGEND II

BUFFING SUPPLIES

13	SS-8070	BUFFING PAD, 6" STITCHED WITH .5" CENTER HOLE
13	SS-8071	BUFFING PAD, 8" STITCHED WITH .5" CENTER HOLE
13	SS-8072	BUFFING PAD, 10" STITCHED WITH .5" CENTER HOLE
13	NLA	BUFFING PAD, 12" STITCHED WITH .5" CENTER HOLE
14	SS-8074	BUFFING COMPOUND, RED POLISHING
14	SS-8075	BUFFING COMPOUND, WHITE HIGH LUSTRE

BUMPER STOCK

15	NLA	BUMPER, WHITE SOLD BY THE FOOT
15	NLA	BUMPER, BLACK SOLD BY THE FOOT
15	NLA	BUMPER, BROWN SOLD BY THE FOOT

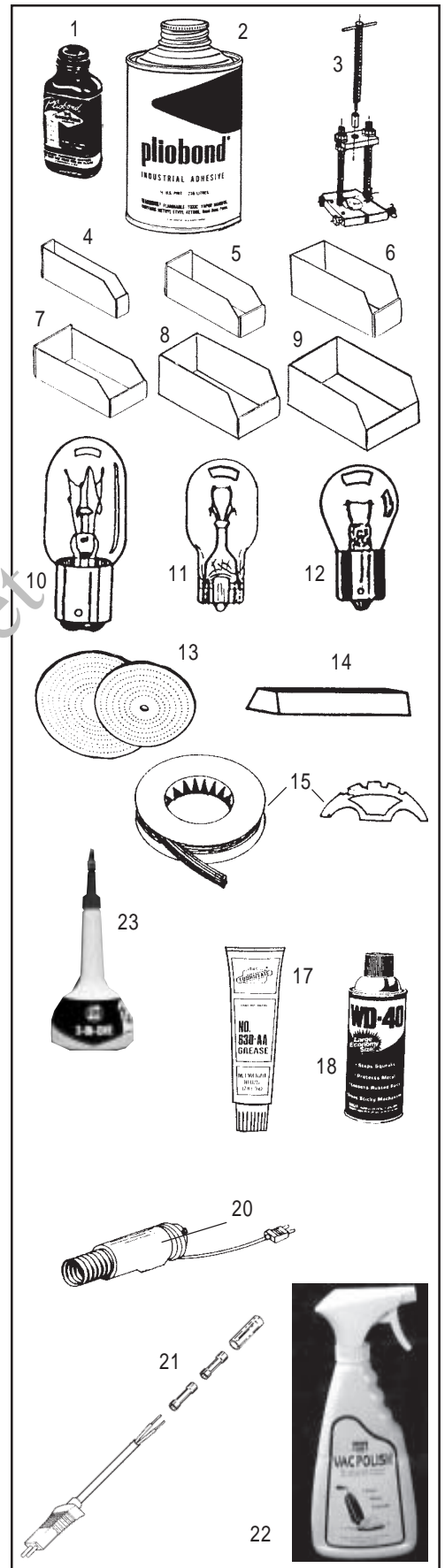
LUBRICANTS

	SS-8028	PRECISION OILER WITH PLASTIC TIP
23	SS-8023	3-IN-ONE OIL WITH TELESCOPIC SPOUT 4 OZ.
17	SS-8026	GREASE, LUBRIPLATE 10 OZ.
	K-T105	BEARING GREASE 1# CAN
18	SS-8025	WD-40 BRAND 11 OUNCE SPRAY LUBRICANT

MISCELLANEOUS

	SS-1600	BAG WIRE, 100' 18 GAUGE
20	FA-4570-1	HOSE REPAIR KIT, HEAT SHRINK VINYL WHITE
20	NLA	HOSE REPAIR KIT, HEAT SHRINK VINYL BLACK
21	FA-3070	PIGTAIL REPAIR KIT
	SS-8017	CABLE TIES 14"
22	SS-8078	VAC POLISH WITH SPRAYER 20 OZ. 12/CASE
	SS-8018	KAPOK DEMONSTRATION MATERIAL

NLA = NO LONGER AVAILABLE



SHOP SUPPLIES

PAPER BAGS

KEY	PART NO.	DESCRIPTION
	SS-1401	1 POUND 3 1/2" X 2", 6 3/4" TALL
	SS-1402	2 POUND 4" X 2 1/2", 8" TALL
	SS-1404	4 POUND 5" X 3 1/4", 9 1/2" TALL
	SS-1408	8 POUND 6" X 4", 12 1/2" TALL
	SS-1416	16 POUND 7 3/4" X 4 3/4", 16" TALL

PLUGS

1	FA-3220-1	MALE 2 WIRE WITH CORD HOLDER WHITE USA
1	FA-3220-3	MALE 2 WIRE WITH CORD HOLDER BLACK USA
1	FA-3220-4	MALE 2 WIRE WITH CORD HOLDER BROWN USA
2	FA-3222-1	MALE 2 WIRE WITH CORD HOLDER WHITE IMPORT
2	FA-3222-2	MALE 2 WIRE WITH CORD HOLDER GRAY IMPORT
	FA-3222-3	MALE 2 WIRE WITH CORD HOLDER BLACK IMPORT
2	FA-3222-4	MALE 2 WIRE WITH CORD HOLDER BROWN IMPORT
3	FA-3224	MALE 2 WIRE WITH CORD CLAMP RUBBER BLACK
4	FA-3225	MALE 2 WIRE ROUND RUBBER BLACK
5	FA-3226-1	MALE 2 WIRE JIFFY WHITE
5	FA-3226-4	MALE 2 WIRE JIFFY BROWN
6	FA-3227-1	MALE 2 WIRE FLAT BAKELITE WHITE
6	FA-3227-4	MALE 2 WIRE FLAT BAKELITE BROWN
7	NLA	FEMALE 2 WIRE STATITE VINYL BLACK
8	NLA	MALE 2 WIRE STATITE VINYL BLACK
9	FA-3250	MALE 3 WIRE WITH CORD CLAMP RUBBER BLACK
10	FA-3251	MALE 3 WIRE ARMORED PARALLEL
11	FA-3255	FEMALE 3 WIRE WITH CORD CLAMP RUBBER BLACK
12	FA-3258	GROUND ADAPTOR GRAY

REPAIR TAGS

13	SS-8000	REPAIR TAG, 3 PART WITH WIRE TIE
14	SS-8005	REPAIR TAG, 3 PART WITH CARBON COPY & WIRE TIE

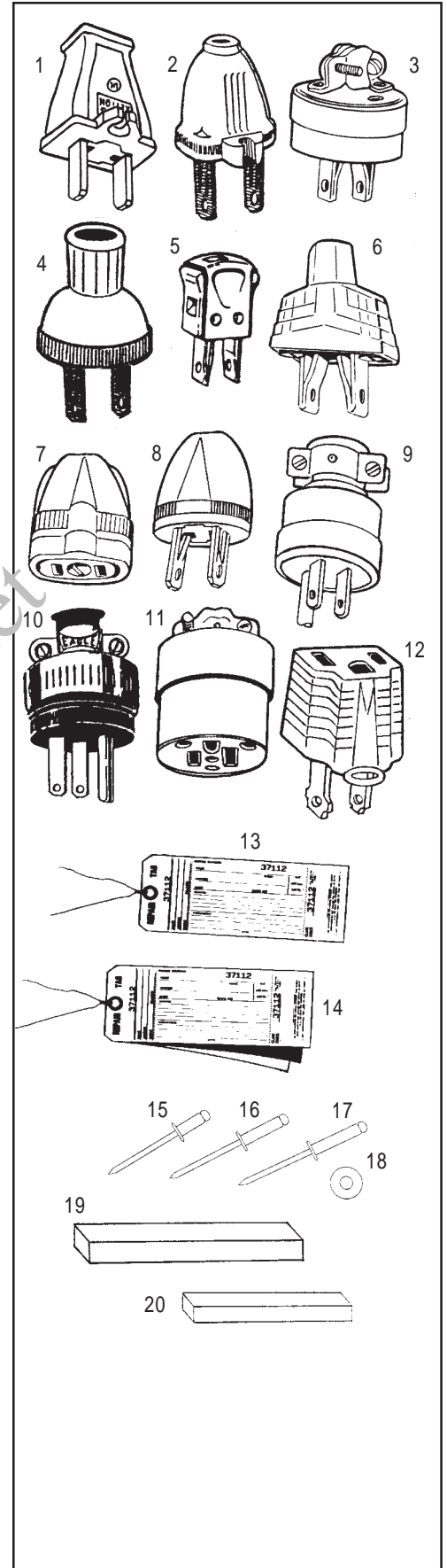
RIVETS

15	SS-84112	RIVET, 1/8" X 1/8" SHORT ALUMINUM 100 PK 1/16 - 1/8
16	SS-84117	RIVET, 1/8" MEDIUM STEEL 100 PK 3/16 - 1/4
17	SS-84121	RIVET, 1/8" LONG STEEL 100 PK 5/16 - 3/8
17	SS-84221	RIVET, 1/8" LONG ALUMINUM 100 PK 5/16 - 3/8
18	SS-40657	WASHER 1/8"ID X 3/8"OD FOR 1/8" DIAMETER RIVET 500 PK

SEATERS & RESURFACERS

19	SS-6300	CARBON BRUSH SEATER FH 4 3/4" X 1/2" X 1/4" WHITE 6 PK
	SS-6311	CARBON BRUSH SEATER FH 4 1/4" X 1/4" X 1/4" WHITE 6 PK
20	SS-6310	COMMUTATOR POLISHER & RESURFACER BROWN 2 PK
	SS-6303	FLEXIBLE ELECTRICAL CONTACT CLEANER STRIPS 12 PK

NLA = NO LONGER AVAILABLE



SHOP SUPPLIES

STRAIN RELIEFS & GROMMETS

KEY	PART NO.	DESCRIPTION
1	SS-3260	STRAIN RELIEF, METAL RIM WITH FIBER CENTER
2	FA-3200	STRAIN RELIEF SLEEVE, 13/16" SQUARE SHOULDER BLACK HOOVER VAC
3	FA-3202	STRAIN RELIEF SLEEVE, 11/16" ROUND SHOULDER BLACK
4	FA-3204	STRAIN RELIEF SLEEVE, 1" ROUND SHOULDER BLACK
5	FA-3209	STRAIN RELIEF SLEEVE, GE IRON 50 SERIES BLACK
6	NLA	GROMMET, WHITE WITH CORD PROTECTOR .250" - .290"
6	FA-3260-3	GROMMET, BLACK WITH CORD PROTECTOR 2 WIRE .250" - .290"
6	FA-3261-3	GROMMET, BLACK WITH CORD PROTECTOR 3 WIRE .300" - .355"
7	SS-3265	GROMMET, 2 WIRE I.D. .250"-.290" HEYCO
7	SS-3266	GROMMET, 3 WIRE I.D. .300"-.355" HEYCO

TAPES

SS-3665	ELECTRICAL TAPE, 3/4" X 60' BLACK
SS-8080	SHIPPING TAPE, CLEAR PVC 2"
SS-8085	SHIPPING TAPE, BROWN PAPER REINFORCED 3" X 375'

TEST GAUGE

9	SS-8020	TEST GAUGE TO MEASURE WATER LIFT OF UPRIGHTS & CANISTERS 160"
---	---------	--

WIRE NUTS

10	SS-3270	SMALL GRAY WITH METAL INNER SLEEVE 100/BOX SOLD EACH
11	SS-3272	MEDIUM ORANGE WITH METAL INNER SLEEVE 100/BOX SOLD EACH
12	SS-3274	LARGE YELLOW WITH METAL INNER SLEEVE 100/BOX SOLD EACH

NLA = NO LONGER AVAILABLE

